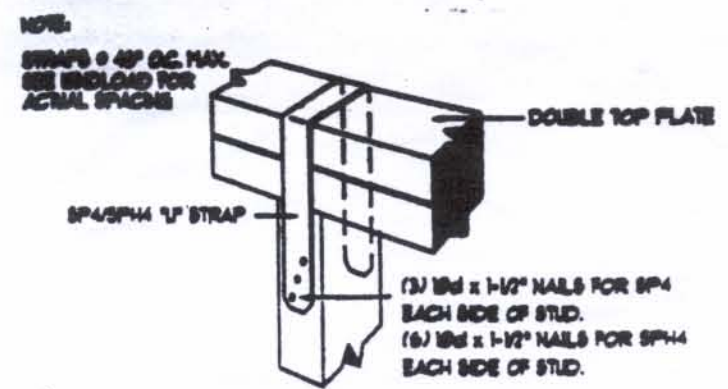
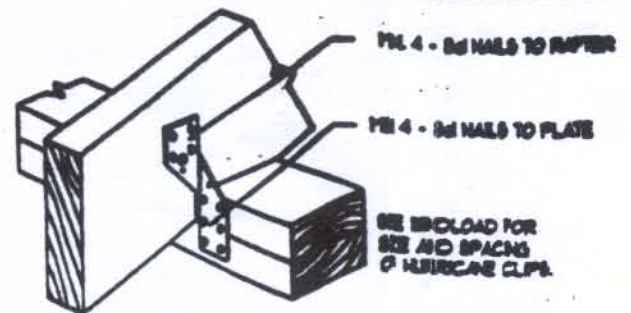


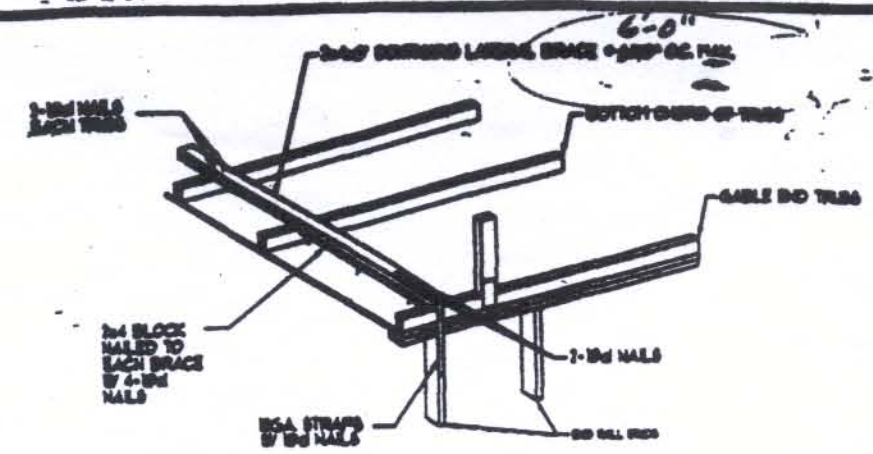
SIMPSON SP4/SPH4 (ALTERNATE: SEMCO TPP4) STRAP DETAIL, BOTTOM PLATE



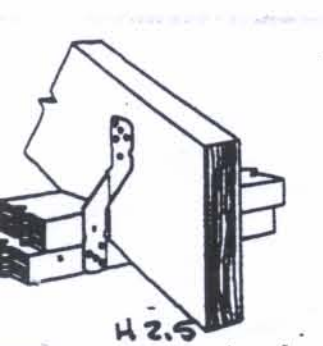
SIMPSON SP4/SPH4 (ALTERNATE: SEMCO TPP4) U' STRAP DETAIL, TOP PLATE



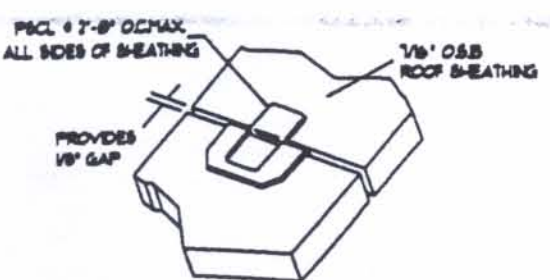
SIMPSON H23 (ALTERNATE: SEMCO HCPRL) HURRICANE CLIP DETAIL



GABLE END WALL BRACING DETAIL



HURRICANE CLIP DETAIL



SIMPSON PSCL SHEATHING CLIP DETAIL

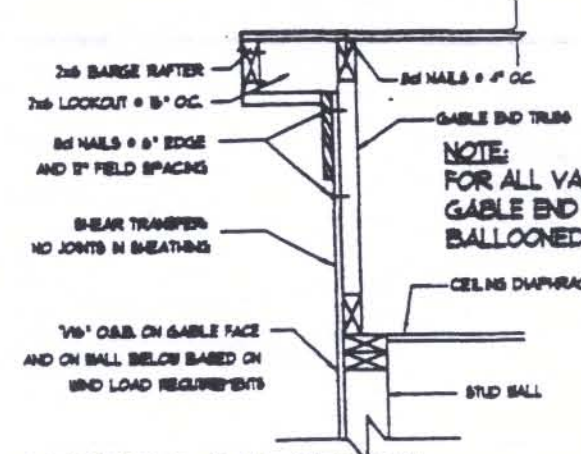


SIMPSON H10 HURRICANE TIE DETAIL

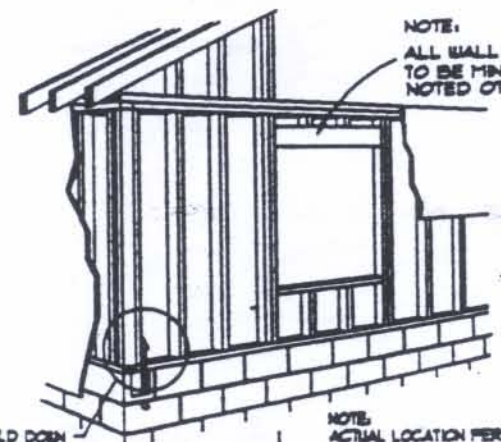
WIND SPEED (30s)	SIMPSON	USE
< 36.9	H23	RT1 OR (2) RT-3
36.9-53.9	H23 OR (2) H23	RT1-2
53.9-69.9	H23 & RT1-2	RT1-2 AND RT1-2
69.9-87.9	(2) H23 & RT1-2	(2) RT1-2
87.9-107.9	(2) H23 & RT1-2	(2) RT1-2 AND RT1-2
107.9-131.9	(2) H23 & RT1-2	(2) RT1-2 AND RT1-2
131.9-156.9	(2) H23 & RT1-2	(2) RT1-2 AND RT1-2
> 156.9	SEE ENGINEER	SEE ENGINEER

SPAN (FT.)	HEADER SIZE	NO. OF 2x4 CRIPPLES @ EACH END
0' - 3'-0"	2 - 2x10 @ 7/8" PLYWOOD FLITCH PLATE	1
3'-1" - 6'-0"	2 - 2x10 @ 7/8" PLYWOOD FLITCH PLATE	2
6'-1" - 9'-0"	2 - 2x10 @ 7/8" PLYWOOD FLITCH PLATE	3
9'-1" - 12'-0"	3 1/2" x 12" PARALAM	3
GARAGE	PER WOOD TRUSS SUPPLIER	4

* HEADER TO BE VERIFIED BY TRUSS MFR.



GABLE END WALL SECTION



SIMPSON HD2A (ALTERNATE: SEMCO AD52) HOLD DOWN ANCHOR

WOOD FRAMING

THE ENGINEER SHOULD BE NOTIFIED OF ANY DEVIATIONS FROM THE PLANS OR TRUSS SHOP DRAWINGS.

PERMANENT TRUSS BOTTOM CHORD LATERAL BRACING, CONSISTING OF 2x4 GRADE MARKED LUMBER, MAILED WITH A MINIMUM OF 2 - 8d NAILS PER TRUSS AND LAPPED AT LEAST TWO TRUSSES, SHALL BE SPACED NO GREATER THAN FIFTEEN FEET.

PRE-ENGINEERED TRUSS BRACING PER TRUSS MANUFACTURER TO BE A MINIMUM OF 2x4 OF THE SAME SPECIES AS TRUSS.

CEILING TO BE A MINIMUM OF 5/8" PLYWOOD WITH 8d COOLER NAILS OR 8d-14 1/2" NAILS INSTALLED AT 16" OC. FIELD AND 12" OC. AT EDGES AND ENDS.

ALL GABLE END WALLS TO BE BALLOON FRAMED AT ALL VAULTED OR CATHEDRAL CEILINGS.

WINDOW/DOOR CONNECTIONS

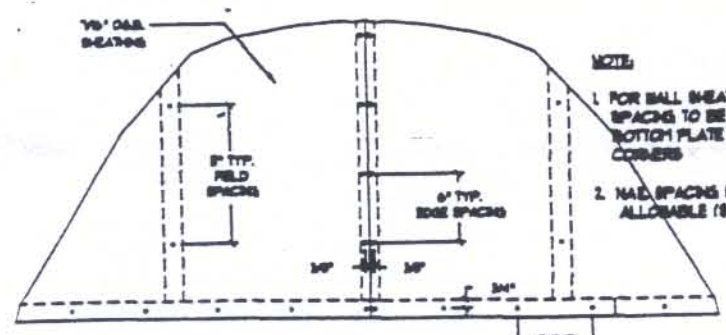
A MINIMUM OF 16d x 3" NAILS TO BE USED TO CONNECT ALL WINDOWS TO WOOD STUDS.

ONE NAIL IS TO BE INSTALLED ON EACH SIDE OF THE WINDOW FOR EVERY 4 SQUARE FEET OF WINDOW AREA AND A MINIMUM OF TWO NAILS AT THE TOP OF THE WINDOW.

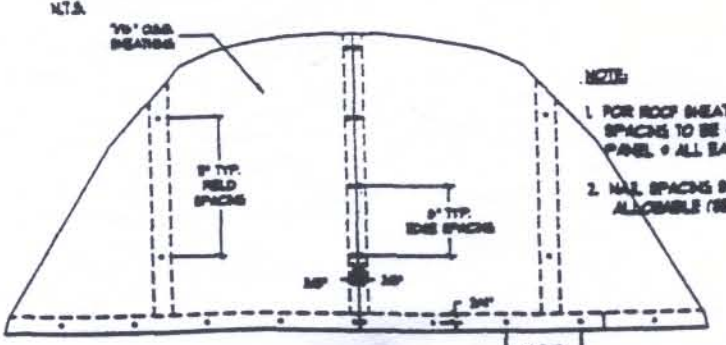
FOR EXAMPLE:
 32x40 WINDOW = 8 SP4 = 3 NAILS ON EA. SIDE, PLUS 2 TOP
 32x60 WINDOW = 8 SP4 = 4 NAILS ON EA. SIDE, PLUS 2 TOP

WIND LOAD:
 PER ASCE 7-05
 BASIC WIND SPEED - 80 MPH, 3-SECOND GUST
 EXPOSURE CATEGORY - B
 FORCE FACTOR - 1.0
 BUILDING TYPE - B
 ENCL. 1601 SEE BUILDING CODES
 G = 0.85
 Q = 0.00

- FLORIDA BUILDING CODE, 2001 EDITION



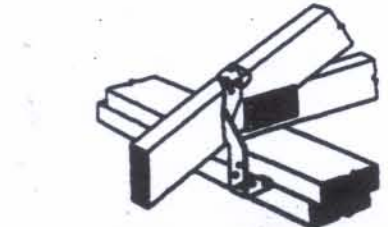
WALL SHEATHING NAILING PATTERN



ROOF SHEATHING NAILING PATTERN



SIMPSON HD2A (ALTERNATE: SEMCO AD52) HOLD DOWN ANCHOR SECTION



SIMPSON M182 OR C86 FLOOR TO FLOOR TIE DETAIL

110 MPH EXPOSURE B WINDLOAD INFORMATION

PAGE DESCRIPTION:

NOTES AND DETAILS

SHEET: